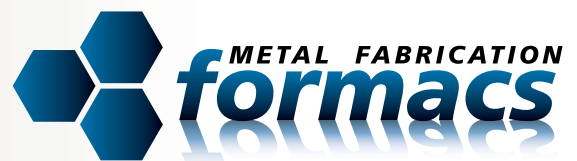
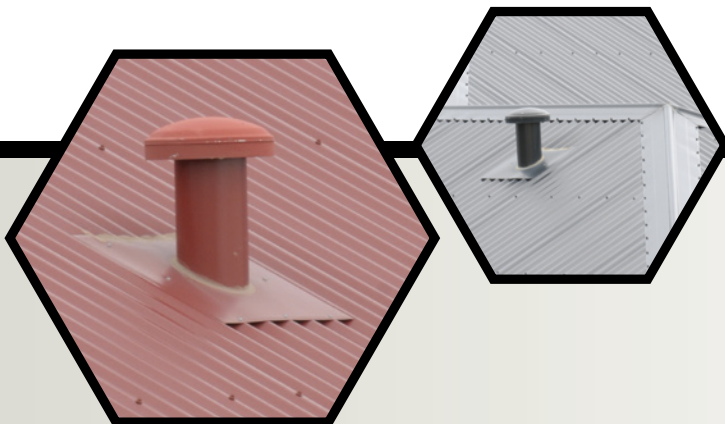
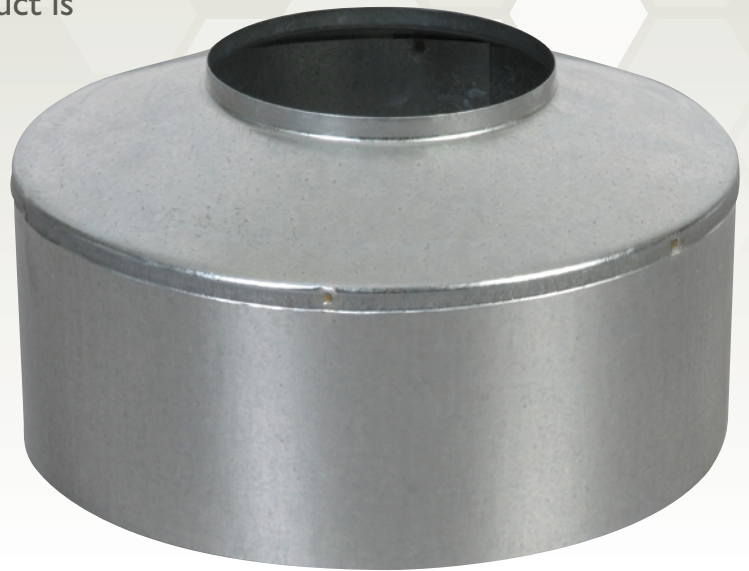
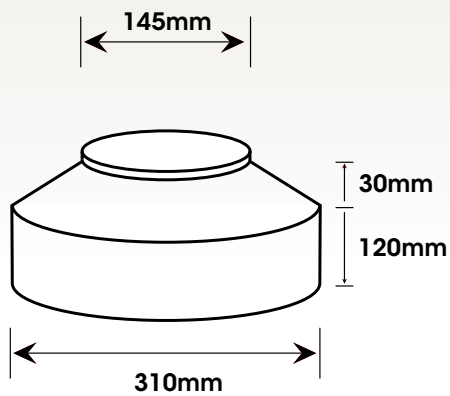


Spun Flume Adaptor - No Extention

Made in 0.4mm Galvanised Steel this product is designed to cover an exhaust fan

Code	Diameter	Height
SFA	310mm	160mm



www.formacs.com.au

info@formacs.com.au
Ph 9271 7279 Fax 9271 7625
Unit 2, 155 Beachboro Rd, Bayswater WA 6053