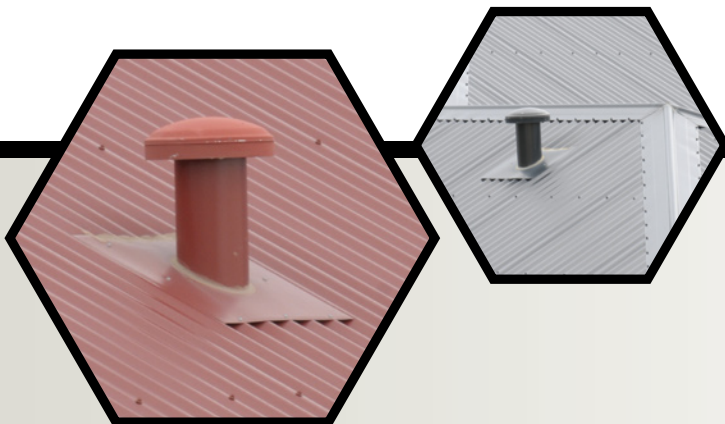
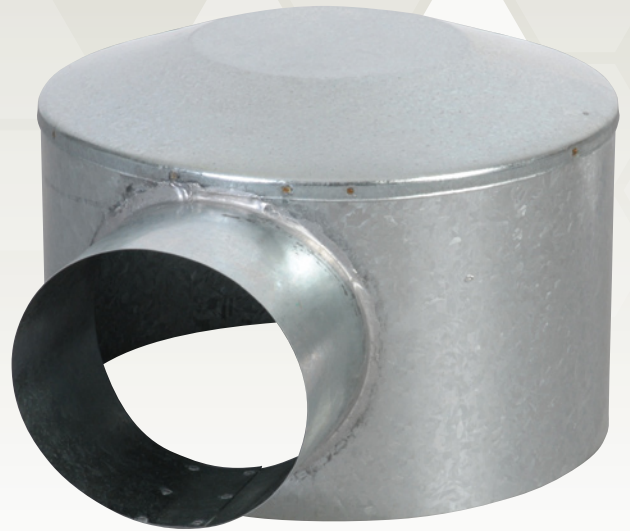
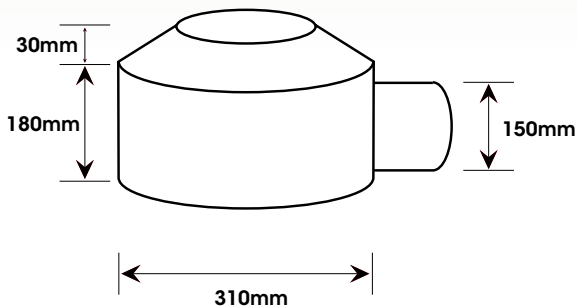


# Spun Flume Adaptor - Side Extension

Made in 0.4mm Galvanised Steel this product is designed to cover an exhaust fan in multi level structures where ceiling space is limited with the ability to attach Flexi Duct via the Side Extension of 100mm x 150mm Diameter.

Code	Diameter	Height
SFASE	310mm	210mm



[www.formacs.com.au](http://www.formacs.com.au)

info@formacs.com.au  
Ph 9271 7279 Fax 9271 7625  
Unit 2, 155 Beachboro Rd, Bayswater WA 6053